





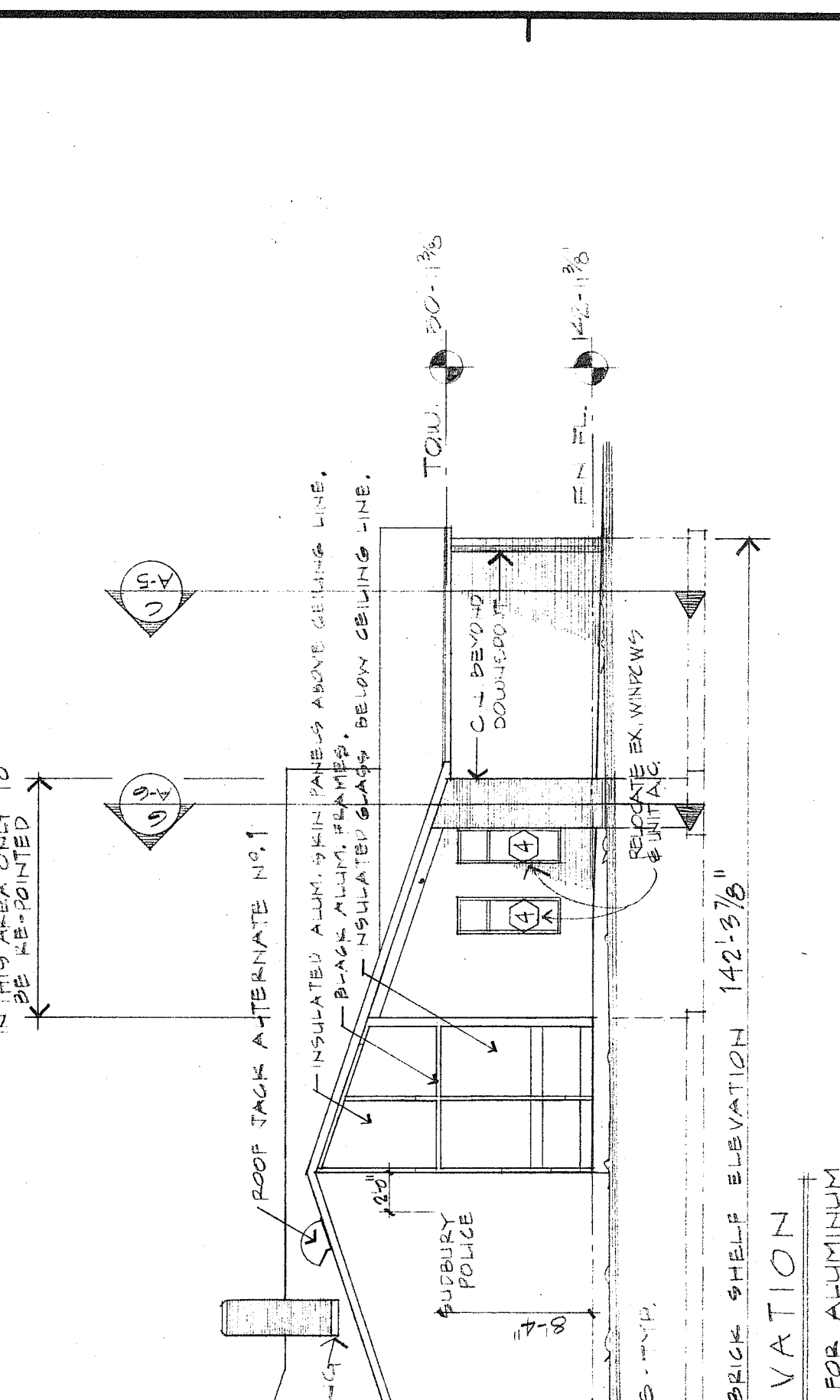
**GENERAL NOTES**

1. CONTRACTOR VERIFY ALL DIMENSIONS
2. REMOVE EXISTING SHOUTS FROM EXISTING BUILDING. REMOVE EXISTING SHOUTS FROM EXISTING BUILDING. REMOVE EXISTING SHOUTS FROM EXISTING BUILDING.
3. ALL NEW WORK SHALL BE DONE IN ACCORDANCE WITH THE LATEST EDITIONS OF THE BUILDING CODES AND ALL APPLICABLE REGULATIONS AND ORDINANCES.

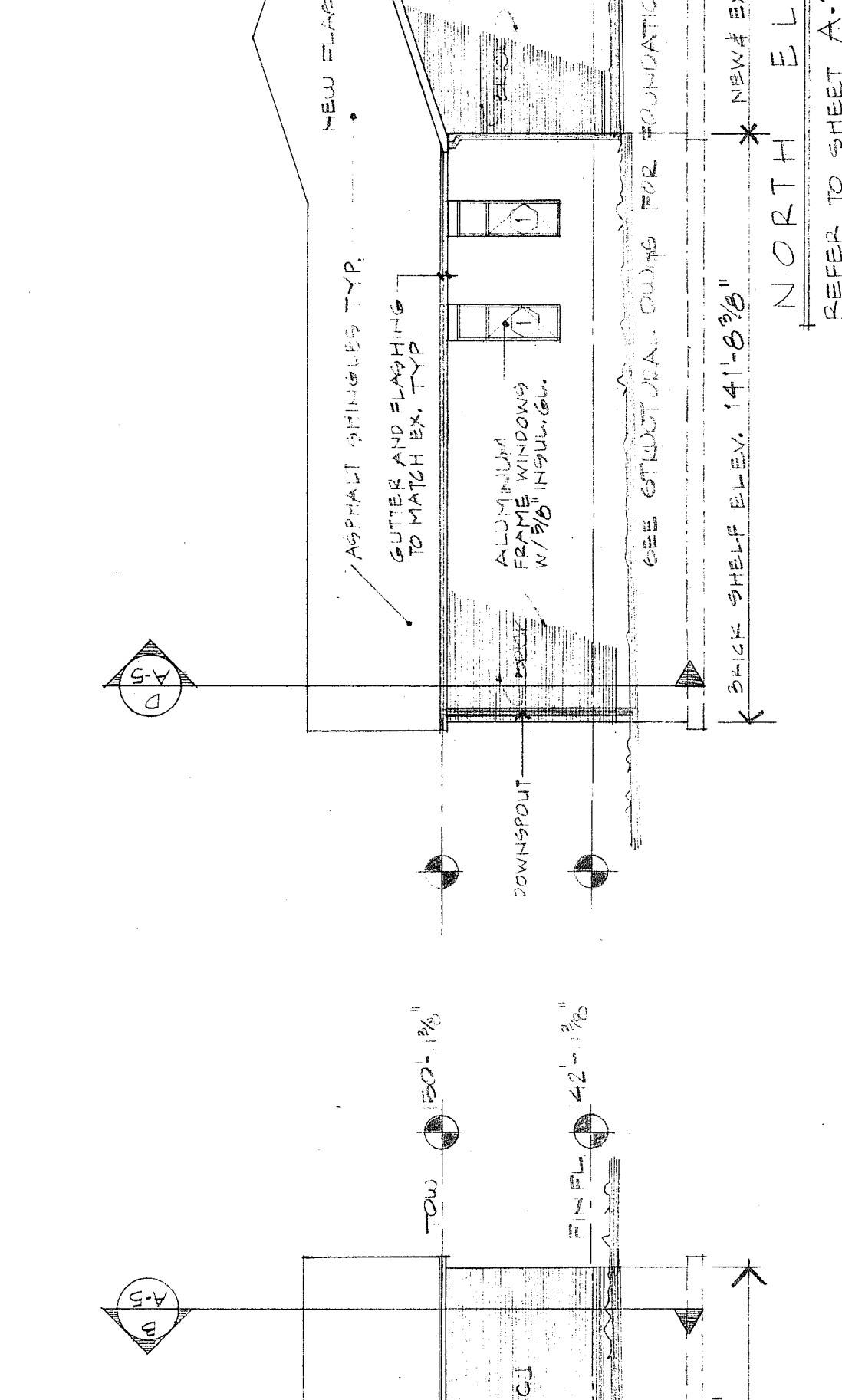
1. CONTRACTOR VERIFY ALL DIMENSIONS

2. REMOVE EXISTING SHOUTS FROM EXISTING BUILDING. REMOVE EXISTING SHOUTS FROM EXISTING BUILDING. REMOVE EXISTING SHOUTS FROM EXISTING BUILDING.

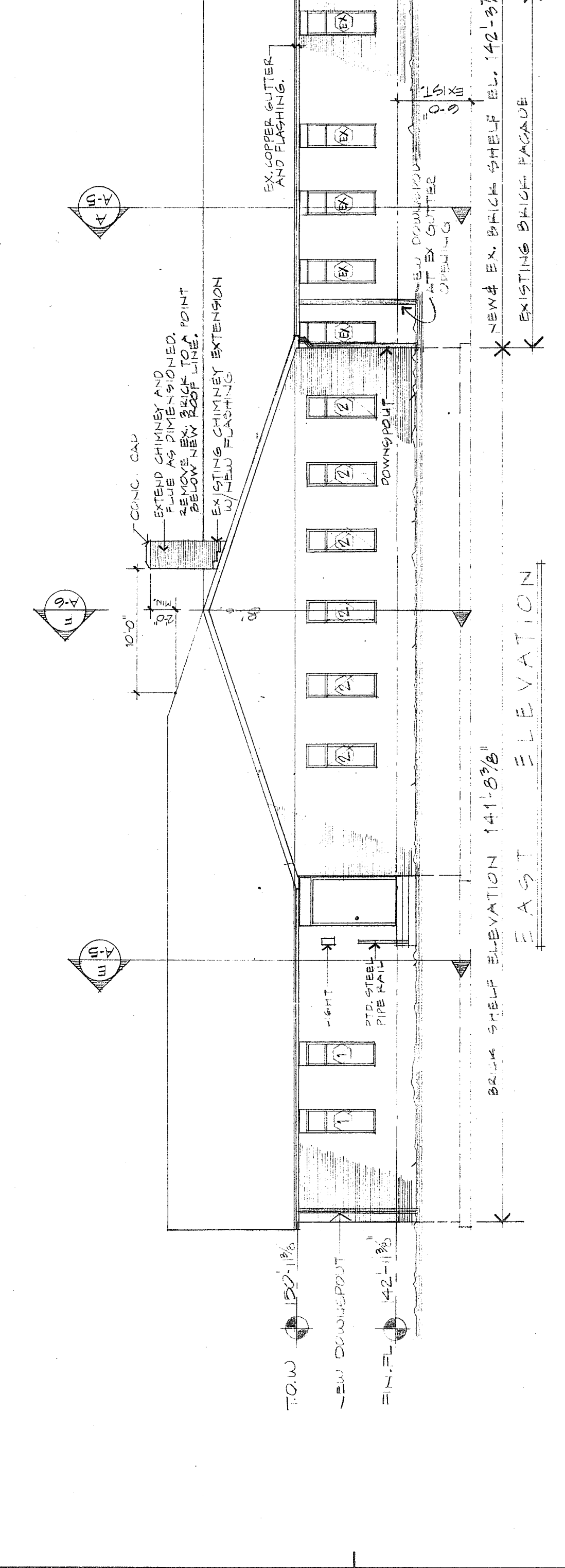
3. ALL NEW WORK SHALL BE DONE IN ACCORDANCE WITH THE LATEST EDITIONS OF THE BUILDING CODES AND ALL APPLICABLE REGULATIONS AND ORDINANCES.



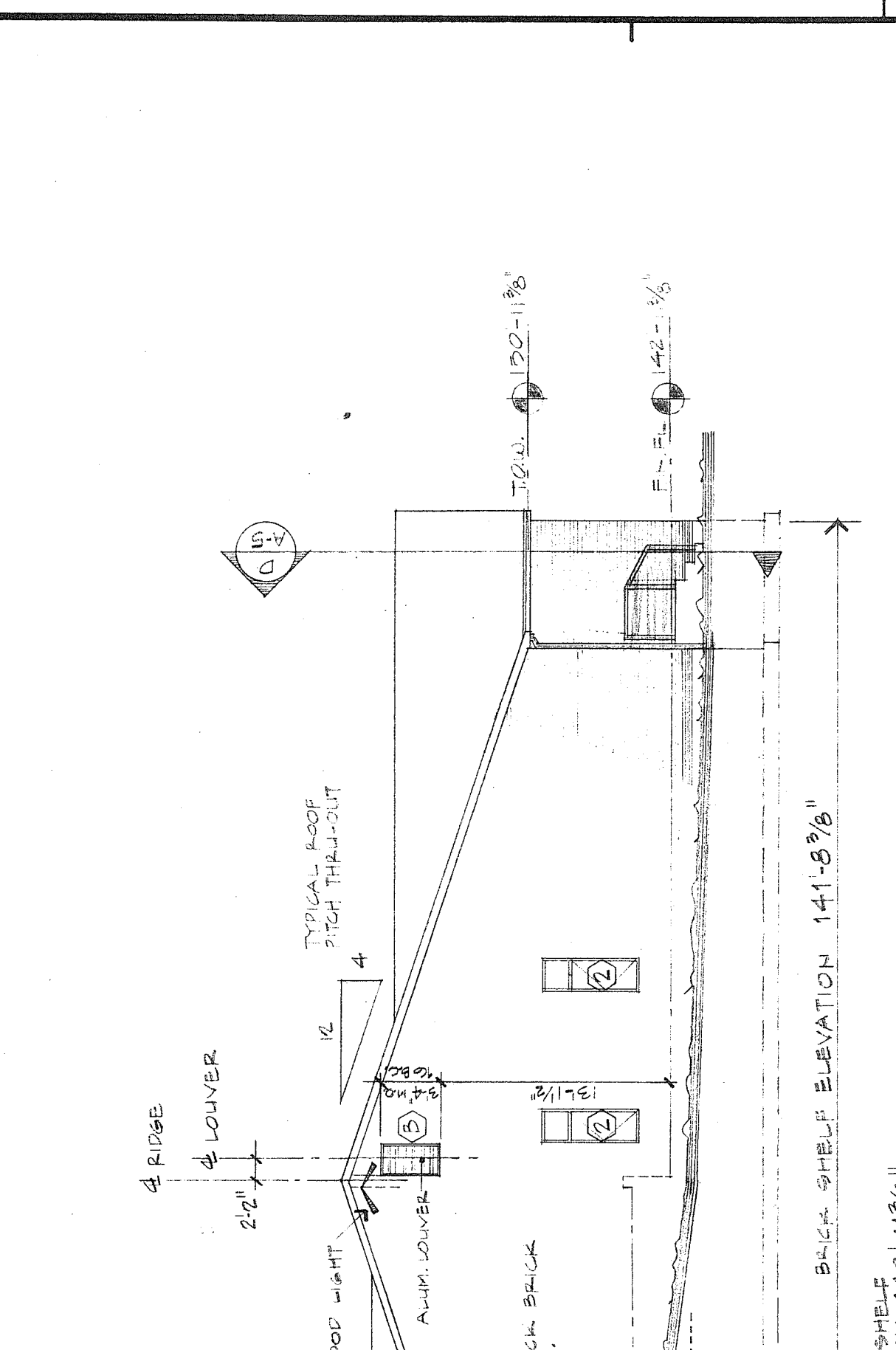
**NORTH ELEVATION**  
 REFERS TO SHEET A-11 FOR ALUMINUM ENTRANCE DETAILS



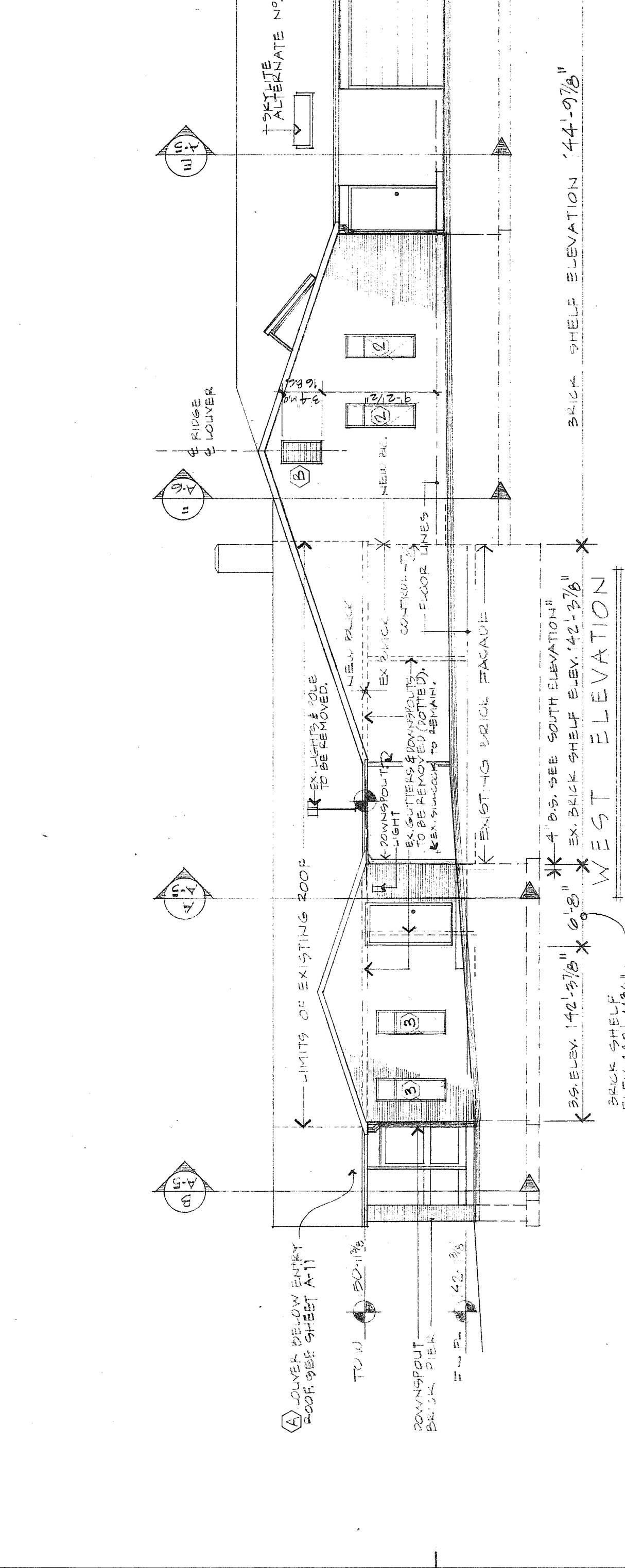
**EAST ELEVATION**



**WEST ELEVATION**



**SOUTH ELEVATION**



**EAST ELEVATION**

REV. NO.	DESCRIPTION	DATE	BY

U.S. ROUTE 20

EXISTING BUILDING

KEY PLAN

N

ALTERATIONS & ADDITIONS  
 POLICE STATION  
 SUDBURY, MASS.

KUBITZ & PEPI  
 ARCHITECTS INC.  
 66 CENTRAL STREET, WELLESLEY, MASS.

ELEVATIONS  
 COLUMN PLAN DETAILS

SCALE: AS SHOWN

DATE: 05-28, 1980

DR BY: R/P

CH BY: WAG

SHEET 6 OF 25

DRAWING NO. **A2**

1	ROOF JACK ALTERNATE NO. 1	1/2" = 1'-0"	A2
2	DOWNPOUT CONNECTION TO CAST IRON PIPE	1/2" = 1'-0"	A2
3	DOWNPOUT AT SPLASHPOOK	1" = 1'-0"	A2
4	PIPE INSTALLATION AT EXISTING WALL	1/2" = 1'-0"	A2
5	PIPE INSTALLATION AT EXISTING WALL	1/2" = 1'-0"	A2
6	PIPE INSTALLATION AT EXISTING WALL	1/2" = 1'-0"	A2
7	PIPE INSTALLATION AT EXISTING WALL	1/2" = 1'-0"	A2
8	PIPE INSTALLATION AT EXISTING WALL	1/2" = 1'-0"	A2
9	PIPE INSTALLATION AT EXISTING WALL	1/2" = 1'-0"	A2
10	PIPE INSTALLATION AT EXISTING WALL	1/2" = 1'-0"	A2
11	RELEASED CONNECTOR INSTALLATION	1/2" = 1'-0"	A2
12	DOWNPOUT AT SPLASHPOOK	1" = 1'-0"	A2



### ROOM FINISH SCHEDULE

No.	Name	Floor		Base		Walls		Ceilings		Remarks
		Mat	Fin	Mat	Fin	Mat	Fin	Mat	Fin	
01	NORTH VESTIBULE	VAT	---	---	---	---	---	---	---	SEE NOTE 6
02	HANDICAP ELEVATOR	---	---	---	---	---	---	---	---	SEE NOTE 6
03	RECORD STORAGE	VAT	---	---	---	---	---	---	---	SEE NOTE 6
04	REAR VESTIBULE	VAT	---	---	---	---	---	---	---	SEE NOTE 6
05	STORAGE	VAT	---	---	---	---	---	---	---	SEE NOTE 6
06	STAIRWELL	VAT	---	---	---	---	---	---	---	SEE NOTE 6
07	STAIRWELL VESTIBULE	VAT	---	---	---	---	---	---	---	SEE NOTE 6
08	CONDUCTOR INT	VAT	---	---	---	---	---	---	---	SEE NOTE 6
09	EVIDENCE OFFICER	VAT	---	---	---	---	---	---	---	SEE NOTE 6
10	RECORDING	VAT	---	---	---	---	---	---	---	SEE NOTE 6
11	CONDUCTOR #2	VAT	---	---	---	---	---	---	---	SEE NOTE 6
12	STAIRWELL	VAT	---	---	---	---	---	---	---	SEE NOTE 6
13	STAIRWELL	VAT	---	---	---	---	---	---	---	SEE NOTE 6
14	STAIRWELL	VAT	---	---	---	---	---	---	---	SEE NOTE 6
15	STAIRWELL	VAT	---	---	---	---	---	---	---	SEE NOTE 6
16	STAIRWELL	VAT	---	---	---	---	---	---	---	SEE NOTE 6
17	STAIRWELL	VAT	---	---	---	---	---	---	---	SEE NOTE 6
18	STAIRWELL	VAT	---	---	---	---	---	---	---	SEE NOTE 6
19	STAIRWELL	VAT	---	---	---	---	---	---	---	SEE NOTE 6
20	STAIRWELL	VAT	---	---	---	---	---	---	---	SEE NOTE 6
21	STAIRWELL	VAT	---	---	---	---	---	---	---	SEE NOTE 6
22	STAIRWELL	VAT	---	---	---	---	---	---	---	SEE NOTE 6
23	STAIRWELL	VAT	---	---	---	---	---	---	---	SEE NOTE 6
24	STAIRWELL	VAT	---	---	---	---	---	---	---	SEE NOTE 6
25	STAIRWELL	VAT	---	---	---	---	---	---	---	SEE NOTE 6
26	STAIRWELL	VAT	---	---	---	---	---	---	---	SEE NOTE 6
27	STAIRWELL	VAT	---	---	---	---	---	---	---	SEE NOTE 6
28	STAIRWELL	VAT	---	---	---	---	---	---	---	SEE NOTE 6
29	STAIRWELL	VAT	---	---	---	---	---	---	---	SEE NOTE 6
30	STAIRWELL	VAT	---	---	---	---	---	---	---	SEE NOTE 6
31	STAIRWELL	VAT	---	---	---	---	---	---	---	SEE NOTE 6
32	STAIRWELL	VAT	---	---	---	---	---	---	---	SEE NOTE 6
33	STAIRWELL	VAT	---	---	---	---	---	---	---	SEE NOTE 6
34	STAIRWELL	VAT	---	---	---	---	---	---	---	SEE NOTE 6
35	STAIRWELL	VAT	---	---	---	---	---	---	---	SEE NOTE 6
36	STAIRWELL	VAT	---	---	---	---	---	---	---	SEE NOTE 6
37	STAIRWELL	VAT	---	---	---	---	---	---	---	SEE NOTE 6
38	STAIRWELL	VAT	---	---	---	---	---	---	---	SEE NOTE 6
39	STAIRWELL	VAT	---	---	---	---	---	---	---	SEE NOTE 6
40	STAIRWELL	VAT	---	---	---	---	---	---	---	SEE NOTE 6
41	STAIRWELL	VAT	---	---	---	---	---	---	---	SEE NOTE 6
42	STAIRWELL	VAT	---	---	---	---	---	---	---	SEE NOTE 6
43	STAIRWELL	VAT	---	---	---	---	---	---	---	SEE NOTE 6
44	STAIRWELL	VAT	---	---	---	---	---	---	---	SEE NOTE 6
45	STAIRWELL	VAT	---	---	---	---	---	---	---	SEE NOTE 6

NOTE: WOOD DOORS ARE SOLID CORE UNLESS OTHERWISE NOTED.

### DOOR SCHEDULE

No.	Location	From	To	Label	Type	Material	Thickness	Width	Height	Hardware				Remarks
										Label	Keyset	Closer	Lamb	
1	01	01	01	---	---	---	---	---	---	---	---	---	---	---
2	02	02	02	---	---	---	---	---	---	---	---	---	---	---
3	03	03	03	---	---	---	---	---	---	---	---	---	---	---
4	04	04	04	---	---	---	---	---	---	---	---	---	---	---
5	05	05	05	---	---	---	---	---	---	---	---	---	---	---
6	06	06	06	---	---	---	---	---	---	---	---	---	---	---
7	07	07	07	---	---	---	---	---	---	---	---	---	---	---
8	08	08	08	---	---	---	---	---	---	---	---	---	---	---
9	09	09	09	---	---	---	---	---	---	---	---	---	---	---
10	10	10	10	---	---	---	---	---	---	---	---	---	---	---
11	11	11	11	---	---	---	---	---	---	---	---	---	---	---
12	12	12	12	---	---	---	---	---	---	---	---	---	---	---
13	13	13	13	---	---	---	---	---	---	---	---	---	---	---
14	14	14	14	---	---	---	---	---	---	---	---	---	---	---
15	15	15	15	---	---	---	---	---	---	---	---	---	---	---
16	16	16	16	---	---	---	---	---	---	---	---	---	---	---
17	17	17	17	---	---	---	---	---	---	---	---	---	---	---
18	18	18	18	---	---	---	---	---	---	---	---	---	---	---
19	19	19	19	---	---	---	---	---	---	---	---	---	---	---
20	20	20	20	---	---	---	---	---	---	---	---	---	---	---
21	21	21	21	---	---	---	---	---	---	---	---	---	---	---
22	22	22	22	---	---	---	---	---	---	---	---	---	---	---
23	23	23	23	---	---	---	---	---	---	---	---	---	---	---
24	24	24	24	---	---	---	---	---	---	---	---	---	---	---
25	25	25	25	---	---	---	---	---	---	---	---	---	---	---
26	26	26	26	---	---	---	---	---	---	---	---	---	---	---
27	27	27	27	---	---	---	---	---	---	---	---	---	---	---
28	28	28	28	---	---	---	---	---	---	---	---	---	---	---
29	29	29	29	---	---	---	---	---	---	---	---	---	---	---
30	30	30	30	---	---	---	---	---	---	---	---	---	---	---
31	31	31	31	---	---	---	---	---	---	---	---	---	---	---
32	32	32	32	---	---	---	---	---	---	---	---	---	---	---
33	33	33	33	---	---	---	---	---	---	---	---	---	---	---
34	34	34	34	---	---	---	---	---	---	---	---	---	---	---
35	35	35	35	---	---	---	---	---	---	---	---	---	---	---
36	36	36	36	---	---	---	---	---	---	---	---	---	---	---
37	37	37	37	---	---	---	---	---	---	---	---	---	---	---
38	38	38	38	---	---	---	---	---	---	---	---	---	---	---
39	39	39	39	---	---	---	---	---	---	---	---	---	---	---
40	40	40	40	---	---	---	---	---	---	---	---	---	---	---
41	41	41	41	---	---	---	---	---	---	---	---	---	---	---
42	42	42	42	---	---	---	---	---	---	---	---	---	---	---
43	43	43	43	---	---	---	---	---	---	---	---	---	---	---
44	44	44	44	---	---	---	---	---	---	---	---	---	---	---
45	45	45	45	---	---	---	---	---	---	---	---	---	---	---

- #### GENERAL NOTES
- CONTRACTOR VERIFY ALL DIMENSIONS AT BUILDING
  - ALL GROUND MOUNT AREAS (LOCKER ROOMS AND TOILET ROOMS) SHALL BE MOISTURE RESISTANT PAINTING OR ALL WALLS SHALL TERMINATE 6" ABOVE FINISHED FLOOR IN THE FOLLOWING AREAS:
    - RM. 117 LIBRARY STRAINING
    - RM. 118 RECEIVING
    - RM. 12 GARAGE LOUNGE
    - RM. 130 DETECTIVES
  - NEW C.M.U. VISUALLY TO EXISTING C.M.U. SHALL BE MATCHED EXCEPTING JOINTS, BUT NEW C.M.U. TO MATCH EX.
  - NEW REBARRED MASONRY WALLS (RM. 117, 118, 119, 120, 121, 122, 123, 124, 125, 126, 127, 128, 129, 130, 131, 132, 133, 134, 135, 136, 137, 138, 139, 140, 141, 142, 143, 144, 145, 146, 147, 148, 149, 150, 151, 152, 153, 154, 155, 156, 157, 158, 159, 160, 161, 162, 163, 164, 165, 166, 167, 168, 169, 170, 171, 172, 173, 174, 175, 176, 177, 178, 179, 180, 181, 182, 183, 184, 185, 186, 187, 188, 189, 190, 191, 192, 193, 194, 195, 196, 197, 198, 199, 200, 201, 202, 203, 204, 205, 206, 207, 208, 209, 210, 211, 212, 213, 214, 215, 216, 217, 218, 219, 220, 221, 222, 223, 224, 225, 226, 227, 228, 229, 230, 231, 232, 233, 234, 235, 236, 237, 238, 239, 240, 241, 242, 243, 244, 245, 246, 247, 248, 249, 250, 251, 252, 253, 254, 255, 256, 257, 258, 259, 260, 261, 262, 263, 264, 265, 266, 267, 268, 269, 270, 271, 272, 273, 274, 275, 276, 277, 278, 279, 280, 281, 282, 283, 284, 285, 286, 287, 288, 289, 290, 291, 292, 293, 294, 295, 296, 297, 298, 299, 300, 301, 302, 303, 304, 305, 306, 307, 308, 309, 310, 311, 312, 313, 314, 315, 316, 317, 318, 319, 320, 321, 322, 323, 324, 325, 326, 327, 328, 329, 330, 331, 332, 333, 334, 335, 336, 337, 338, 339, 340, 341, 342, 343, 344, 345, 346, 347, 348, 349, 350, 351, 352, 353, 354, 355, 356, 357, 358, 359, 360, 361, 362, 363, 364, 365, 366, 367, 368, 369, 370, 371, 372, 373, 374, 375, 376, 377, 378, 379, 380, 381, 382, 383, 384, 385, 386, 387, 388, 389, 390, 391, 392, 393, 394, 395, 396, 397, 398, 399, 400, 401, 402, 403, 404, 405, 406, 407, 408, 409, 410, 411, 412, 413, 414, 415, 416, 417, 418, 419, 420, 421, 422, 423, 424, 425, 426, 427, 428, 429, 430, 431, 432, 433, 434, 435, 436, 437, 438, 439, 440, 441, 442, 443, 444, 445, 446, 447, 448, 449, 450, 451, 452, 453, 454, 455, 456, 457, 458, 459, 460, 461, 462, 463, 464, 465, 466, 467, 468, 469, 470, 471, 472, 473, 474, 475, 476, 477, 478, 479, 480, 481, 482, 483, 484, 485, 486, 487, 488, 489, 490, 491, 492, 493, 494, 495, 496, 497, 498, 499, 500, 501, 502, 503, 504, 505, 506, 507, 508, 509, 510, 511, 512, 513, 514, 515, 516, 517, 518, 519, 520, 521, 522, 523, 524, 525, 526, 527, 528, 529, 530, 531, 532, 533, 534, 535, 536, 537, 538, 539, 540, 541, 542, 543, 544, 545, 546, 547, 548, 549, 550, 551, 552, 553, 554, 555, 556, 557, 558, 559, 560, 561, 562, 563, 564, 565, 566, 567, 568, 569, 570, 571, 572, 573, 574, 575, 576, 577, 578, 579, 580, 581, 582, 583, 584, 585, 586, 587, 588, 589, 590, 591, 592, 593, 594, 595, 596, 597, 598, 599, 600, 601, 602, 603, 604, 605, 606, 607, 608, 609, 610, 611, 612, 613, 614, 615, 616, 617, 618, 619, 620, 621, 622, 623, 624, 625, 626, 627, 628, 629, 630, 631, 632, 633, 634, 635, 636, 637, 638, 639, 640, 641, 642, 643, 644, 645, 646, 647, 648, 649, 650, 651, 652, 653, 654, 655, 656, 657, 658, 659, 660, 661, 662, 663, 664, 665, 666, 667, 668, 669, 670, 671, 672, 673, 674, 675, 676, 677, 678, 679, 680, 681, 682, 683, 684, 685, 686, 687, 688, 689, 690, 691, 692, 693, 694, 695, 696, 697, 698, 699, 700, 701, 702, 703, 704, 705, 706, 707, 708, 709, 710, 711, 712, 713, 714, 715, 716, 717, 718, 719, 720, 721, 722, 723, 724, 725, 726, 727, 728, 729, 730, 731, 732