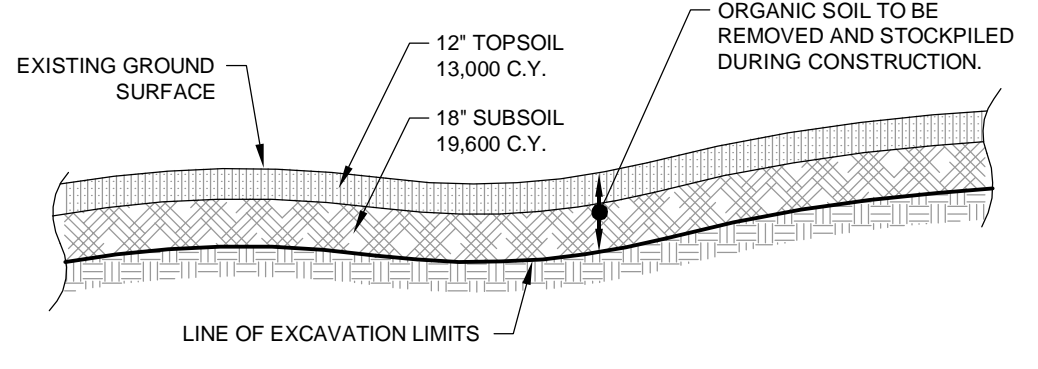
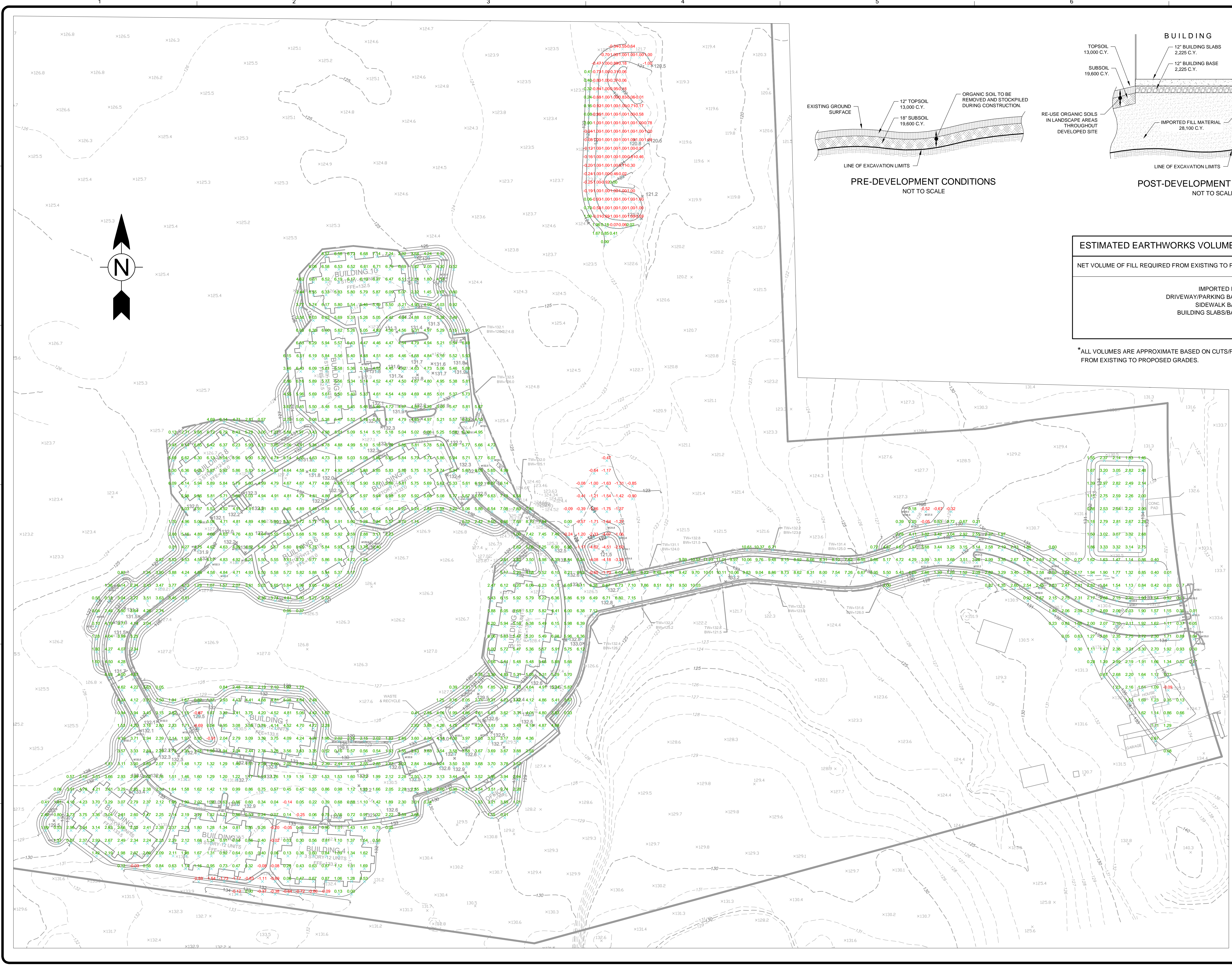
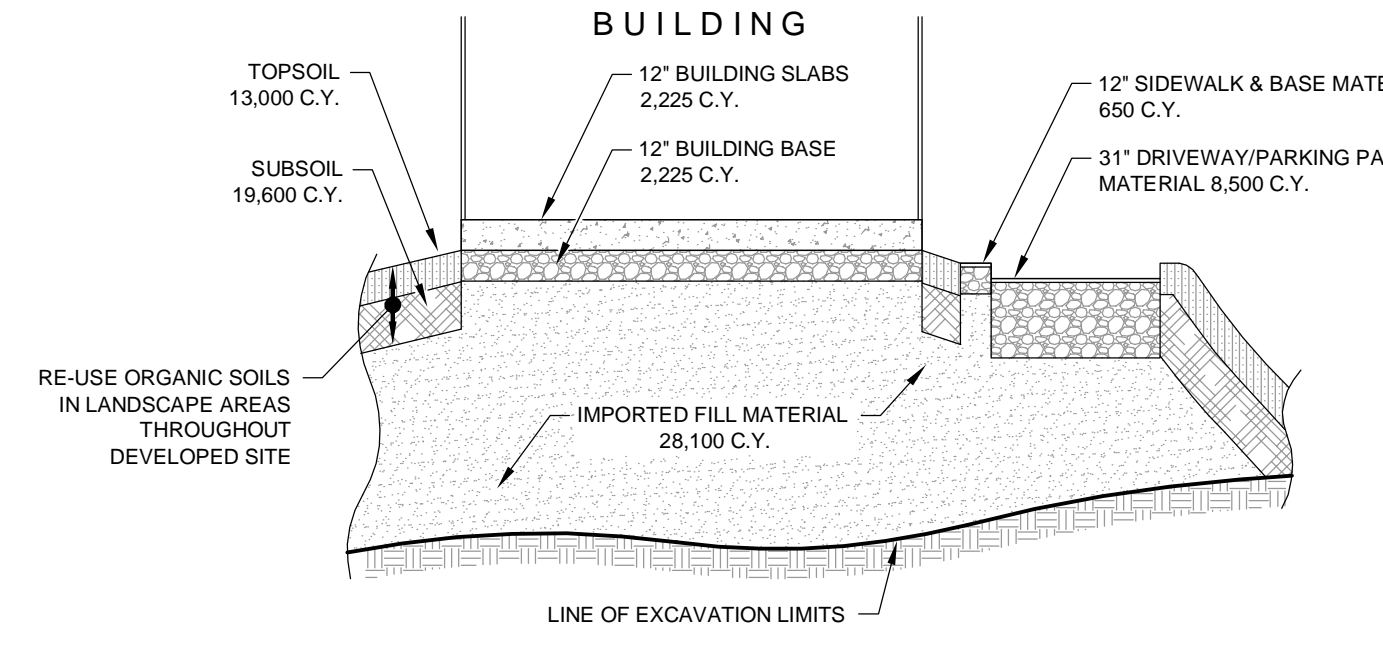


12/21/2011 10:59:10 AM - P:\14331\1127-14331-11001\CAD\SHETS\C-701 SITE VOLUME CALCULATIONS 12-11.DWG - PAPPAS, JUD



PRE-DEVELOPMENT CONDITIONS
NOT TO SCALE



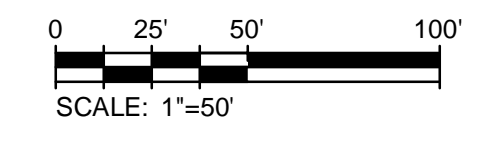
POST-DEVELOPMENT CONDITIONS
NOT TO SCALE

ESTIMATED EARTHWORKS VOLUME CALCULATION TABLE

NET VOLUME OF FILL REQUIRED FROM EXISTING TO PROPOSED GRADES: 41,700 CY

IMPORTED FILL MATERIAL VOLUME:	28,100 CY
DRIVEWAY/PARKING BASE MATERIAL VOLUME:	8,500 CY
SIDEWALK BASE MATERIAL VOLUME:	650 CY
BUILDING SLABS/BASE MATERIAL VOLUME:	4,450 CY
TOTAL VOLUME:	41,700 CY

*ALL VOLUMES ARE APPROXIMATE BASED ON CUTS/FILLS SHOWN ON PLAN FROM EXISTING TO PROPOSED GRADES.



www.tetratech.com
One Grant Street
Framingham, MA 01701
PHONE: (508) 903-2000 FAX: (508) 903-2001

MARK	DATE	DESCRIPTION	BY
1	11-4-11	SUBMIT TO ZBA	
2	12-15-11	REV. PLANS PER TOWN, MEPA & DEP COMMENTS	

Client: Madison Place Suburbly LLC
 Proj. Loc.: Suburbly, MA
 The Residences at Johnson Farm
 Landham Road, Suburbly

Estimated Site Earthworks Volume Plan

Project No.: 127-14331-11001
 Designed By: G.K.D.
 Drawn By: J.L.P.
 Checked By:

C-10.0

Copyright: Tetra Tech
 Bar Measures 1 inch